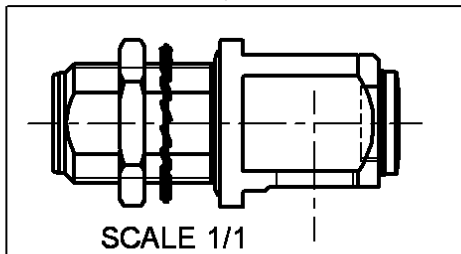
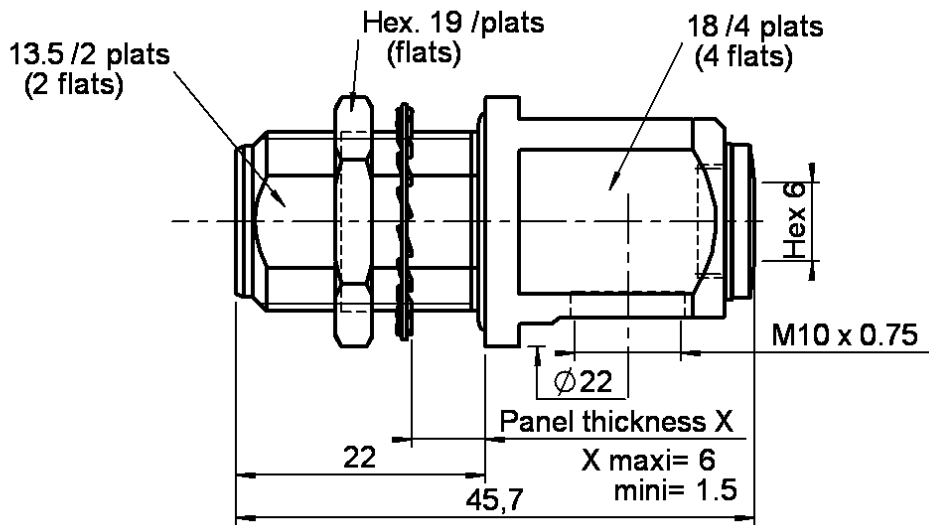


**BULKHEAD JACK PANEL SEAL**

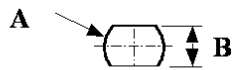
**R161.913.120**

**COAXI-KIT**

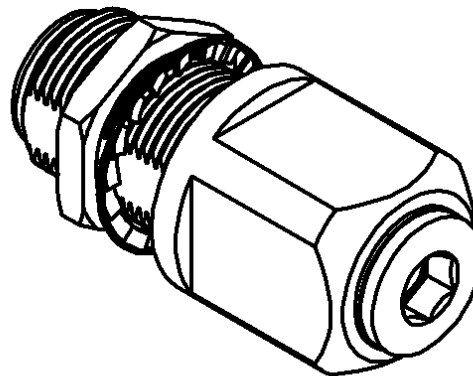
Series : N



**PANEL CUT OUT**



	mm	
	Maxi	mini
A	16.1	16
B	13.7	13.6



All dimensions are in mm.



COMPONENTS	MATERIALS	PLATINGS (µm)
BODY	BRASS	BBR 0.5 OVER SILVER 3
CENTER CONTACT	BERYLLIUM COPPER	SILVER 3 OVER COPPER 0.5
OUTER CONTACT	BRASS	BBR 0.5 OVER SILVER 3
INSULATOR	PTFE	
GASKET	SILICONE RUBBER	
OTHERS PARTS	BRASS	BBR 2
-	-	-
-	-	-

Issue : 0133 A

In the effort to improve our products, we reserve the right to make changes judged to be necessary.



**BULKHEAD JACK PANEL SEAL**

**R161.913.120**

**COAXI-KIT**

Series : N

**PACKAGING**

Standard	Unit	Other
<b>20</b>	<b>'W' option</b>	<b>Contact us</b>

**SPECIFICATION**

**ELECTRICAL CHARACTERISTICS**

Impedance		<b>50</b> Ω
Frequency		<b>0-11</b> GHz
VSWR	<b>1.5***</b> +	<b>0.000</b> x F(GHz) Maxi
Insertion loss		<b>0.07</b> √F(GHz) dB Maxi
RF leakage	- (	<b>90**</b> - F(GHz)) dB Maxi
Voltage rating		* Veff Maxi
Dielectric withstanding voltage		* Veff mini
Insulation resistance		<b>5000</b> MΩ mini

**CABLE ASSEMBLY**

Stripping	a	b	c	d	e	f
mm	0.00	0.00	0.00	0.00	0.00	0.00

Assembly instruction :

Recommended cable(s)

**MECHANICAL CHARACTERISTICS**

Center contact retention		
Axial force – Mating end	<b>27</b>	N mini
Axial force – Opposite end	<b>27</b>	N mini
Torque		N.cm mini

Cable retention

- pull off
- torque

\* N mini  
N.cm

**TOOLING**

Part Number	Description	Hexagon
.	.	.

Recommended torque

Mating	<b>NA</b>	N.cm
Panel nut	<b>NA</b>	N.cm
Clamp nut	<b>NA</b>	N.cm
A/F clamp nut	<b>18.000</b>	mm

Mating life	<b>500</b>	Cycles mini
Weight	<b>74.127</b>	g

**OTHERS CHARACTERISTICS**

\*VSWR according to coaxi-kit tip used

\*\*3GHz

\*\*\*Right angle connector

EZ Fit type :

For superflexible corrugated cable :DC-11 GHz

Others models :DC-2.5 GHz

**ENVIRONMENTAL**

Operating temperature	<b>-55/+155</b>	° C
Hermetic seal	<b>NA</b>	Atm.cm3/s
Panel leakage	<b>NA</b>	

Issue : 0133 A

In the effort to improve our products, we reserve the right to make changes judged to be necessary.

